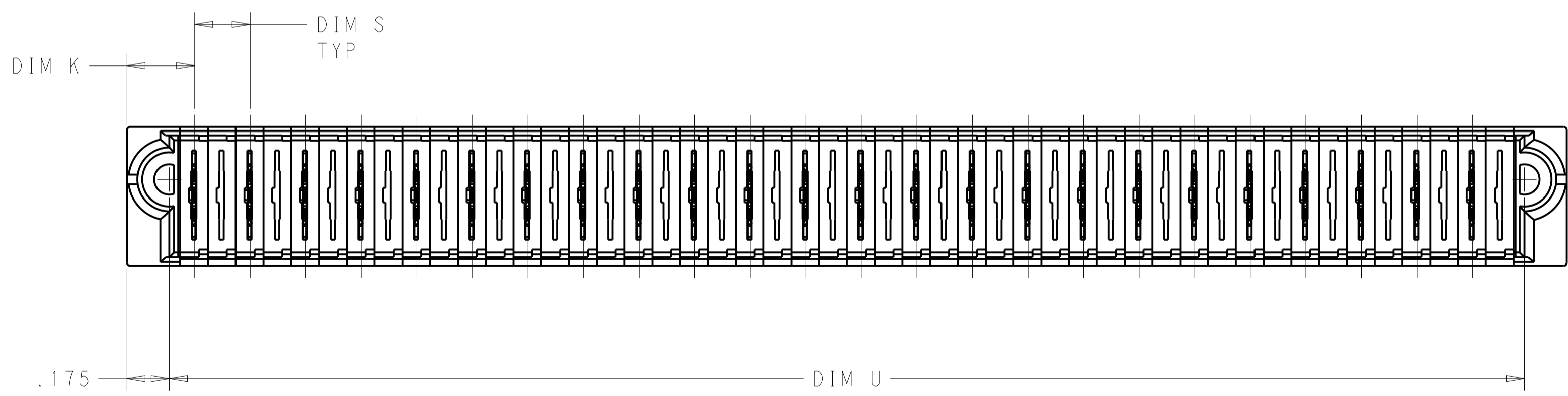
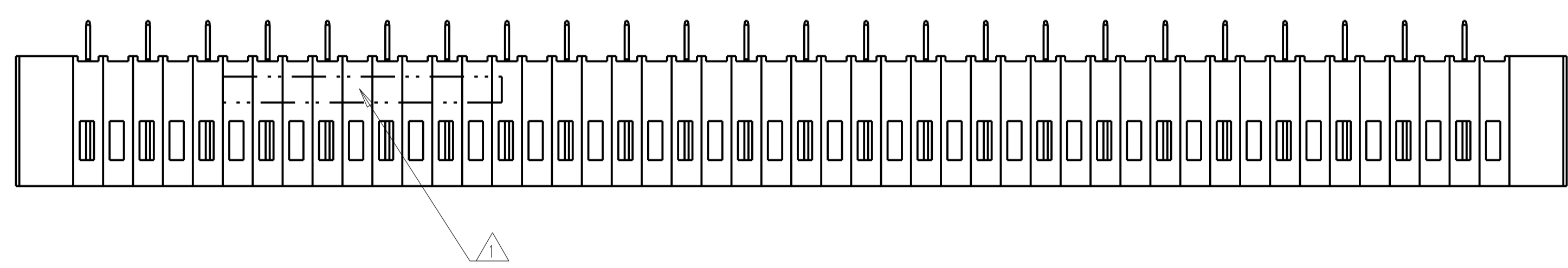
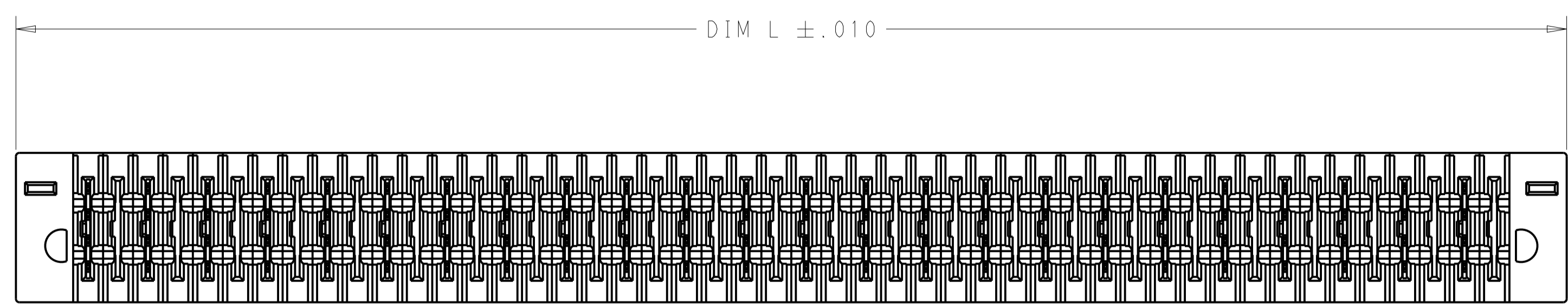
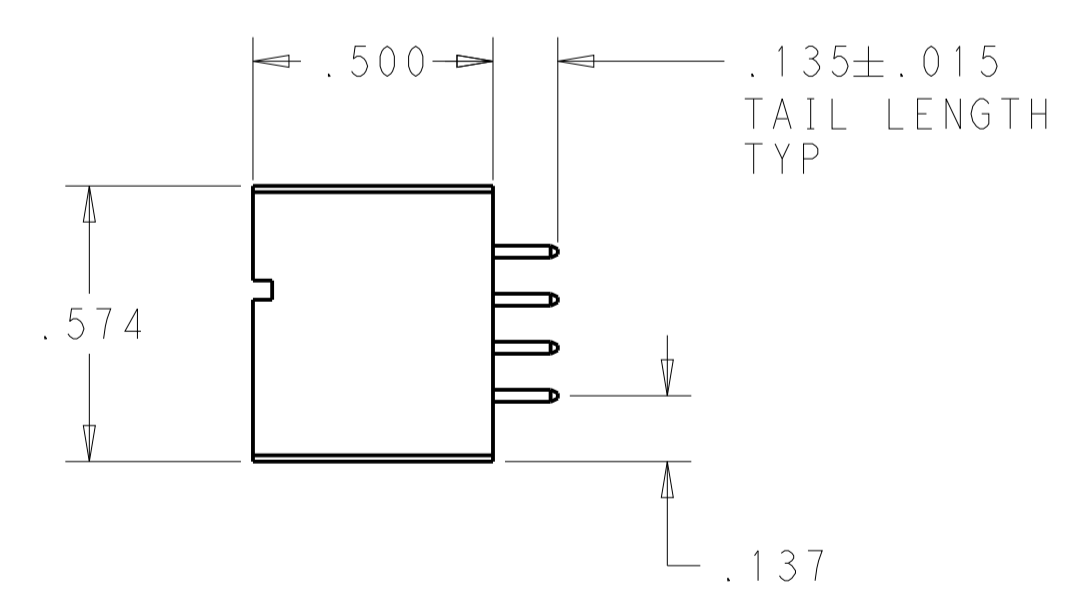


LOC		DIST		REVISIONS			
ES	00	P	LTN	DESCRIPTION	DATE	DWN	APVD
	A			REV PER ECR-11-017732	26AUG2011	CZ	SY
	A2			REV PER ECR-14-002489	24FEB2014	OL	SZ



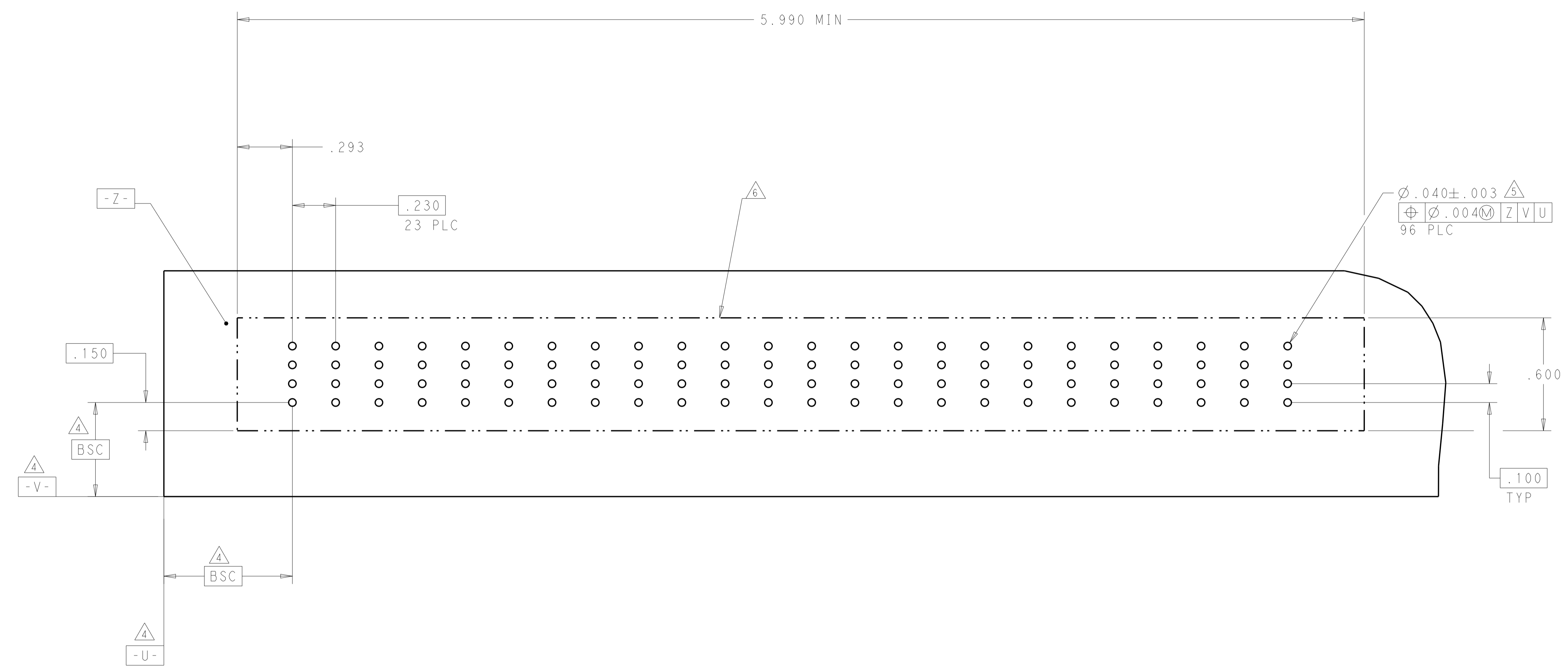
- ① HEADER HOUSING: THERMO PLASTIC, BLACK, UL94 V-0; CONTACTS AND RETENTION CLIPS: COPPER ALLOY.
- ② CONTACT PLATING: NOBLE METAL PLATING ON CONTACT FUNCTIONAL AREA OF POWER AND SIGNAL CONTACTS
RETENTION CLIP: .000050 MIN. NI UNDER ALL, .000030 MIN. MATTE Sn OVER ALL
- ③ PART NUMBER AND DATE CODE MARKED IN THIS AREA. PARTS UNDER 2.50 LONG MAY BE MARKED ON BOTH SIDES.
- ④ DATUM AND BASIC DIMENSIONS ESTABLISHED BY CUSTOMER.
- ⑤ PCB - ALL HOLE DIAMETERS ARE FINISHED HOLE SIZES.
- ⑥ MECHANICAL CONNECTOR KEEP OUT ZONE.
- ⑦ VARIABLE DIMENSION PLEASE SEE PART VIEW .



1.110	⑦	.3275	1.460	6 LP	6450813-2
5.610	.230	.2775	5.960	24 LP	6450813-1
DIM U	DIM S	DIM K	DIM L	DESCRIPTION	PART NUMBER
THIS DRAWING IS A CONTROLLED DOCUMENT.			DWN C. ZHOU CHK S. ZHAO APVD	16JUN2011	
DIMENSIONS: inch		TOLERANCES UNLESS OTHERWISE SPECIFIED:		TE Connectivity NAME VERTICAL PLUG ASSEMBLY POWER ONLY, MULTI-BEAM XLE	
0 PLC ± 1 PLC ± 2 PLC ± 3 PLC ±.005 4 PLC ±.0020 ANGLES ±.020		PRODUCT SPEC 108-2292 APPLICATION SPEC 114-13251		SIZE CAGE CODE DRAWING NO A100779C=6450813	
MATERIAL		FINISH		WEIGHT CUSTOMER DRAWING	
SCALE 2:1			SHEET 1 OF 3		
REV A2					

LOC	DIST	REVISIONS			
		REV	DATE	BY	APPV
ES	00	-	-	-	-
		SEE SHEET 1			

PART NUMBER	ROWS	LOW POWER																							
		LP1	LP2	LP3	LP4	LP5	LP6	LP7	LP8	LP9	LP10	LP11	LP12	LP13	LP14	LP15	LP16	LP17	LP18	LP19	LP20	LP21	LP22	LP23	LP24
6450813-1	D																								
	C	LXF	LXF	LXF	LXF	LXF	LXF	LXF	LXF	LXF	LXF	LXF	LXF	LXF	LXF	LXF	LXF	LXF	LXF	LXF	LXF	LXF	LXF	LXF	
	B																								
	A																								
24 LP																									



-	RETENTION CLIP	HD
MFBL	LOW POWER CONTACT .135	LXF
MATING SEQUENCE	DESCRIPTION	IDENTIFIER

THIS DRAWING IS A CONTROLLED DOCUMENT. DWG: C.ZHOU 16JUN2011
 CHK: S.ZHAO
 APVD: -

DIMENSIONS: inch
 TOLERANCES UNLESS OTHERWISE SPECIFIED:
 0 PLC ±
 1 PLC ±
 2 PLC ±
 3 PLC ±.005
 4 PLC ±.0020
 ANGLES ±.2°
 FINISH -

MATERIAL -

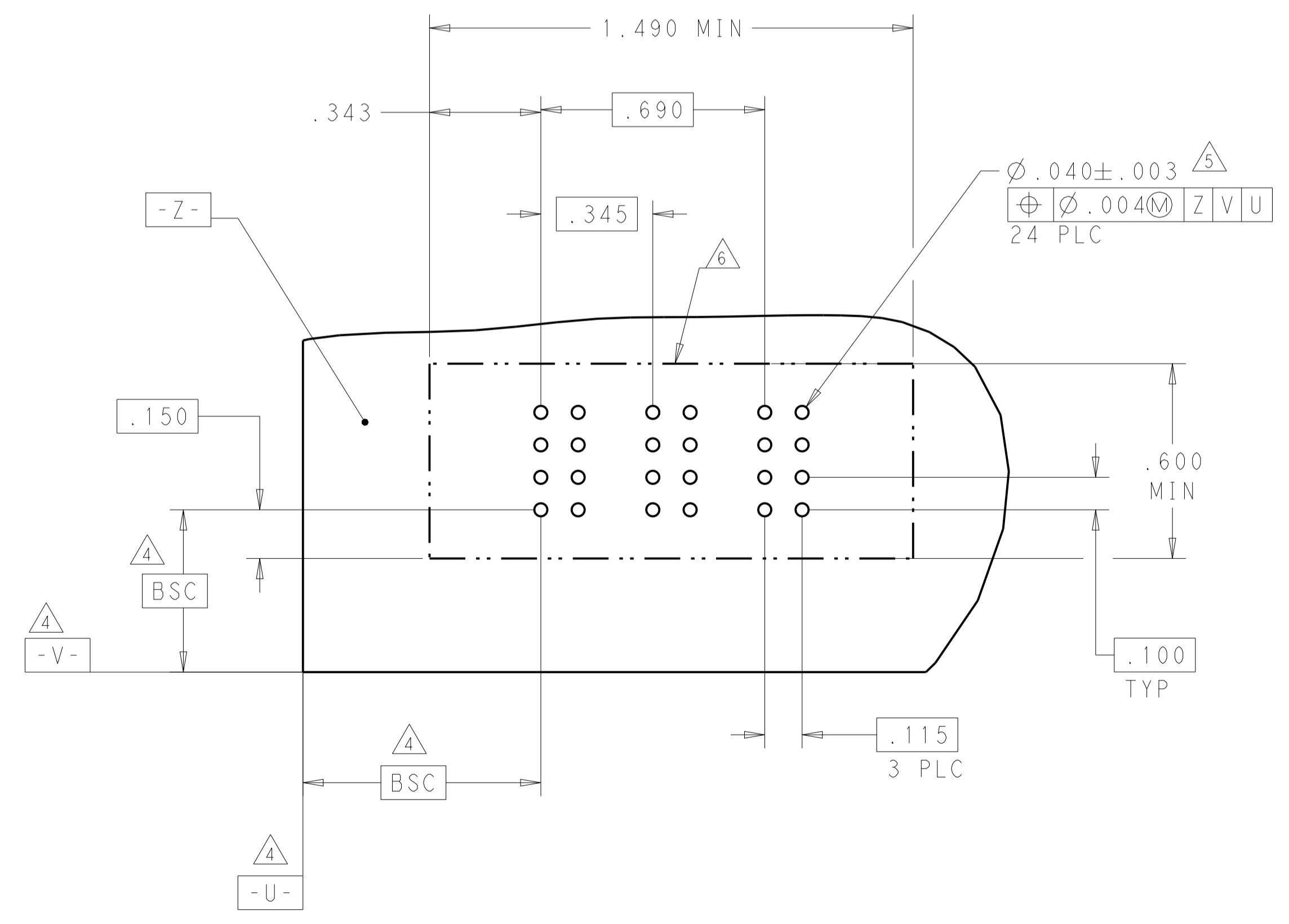
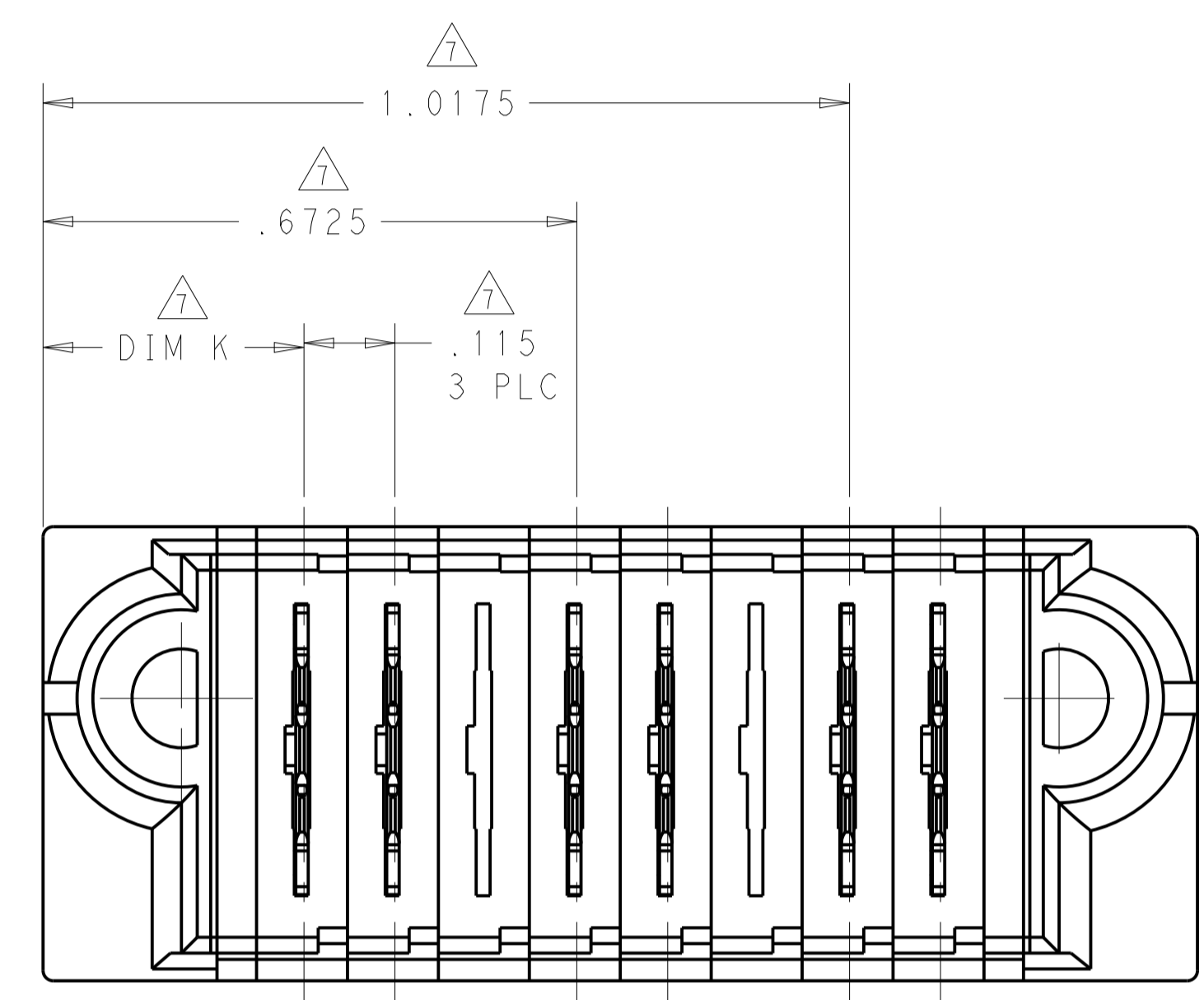
PRODUCT SPEC: 108-2292
 APPLICATION SPEC: 114-13251
 WEIGHT -

SCALE: 2:1 SHEET 2 OF 3 REV: A2

NAME: VERTICAL PLUG ASSEMBLY POWER ONLY, MULTI-BEAM XLE
 SIZE: A1 CAGE CODE: 6450813
 CUSTOMER DRAWING

LOC		DIST		REVISIONS			
ES	00	P	LTH	DESCRIPTION	DATE	DWN	APVD
-	-	-	-	SEE SHEET 1	-	-	-

PART NUMBER	ROWS	LOW POWER						
		LP1	LP2	LP3	LP4	LP5	LP6	
6450813-2	D		LXF	LXF	LXF	LXF	LXF	LXF
	C							
	B							
	A							
6 LP								



THIS DRAWING IS A CONTROLLED DOCUMENT.		DWN C. ZHOU CHK S. ZHAO APVD	16 JUN 2011	TE Connectivity VERTICAL PLUG ASSEMBLY POWER ONLY, MULTI-BEAM XLE	
DIMENSIONS: inch		TOLERANCES UNLESS OTHERWISE SPECIFIED:			
		0 PLC ± 1 PLC ± 2 PLC ± 3 PLC ±.005 4 PLC ±.002 ANGLES ±.2°		APPLICATION SPEC 114-13251	RESTRICTED TO
MATERIAL		FINISH		WEIGHT	SIZE CAGE CODE DRAWING NO A100779C=6450813
CUSTOMER DRAWING				SCALE 2:1	SHEET 3 OF 3 REV A2